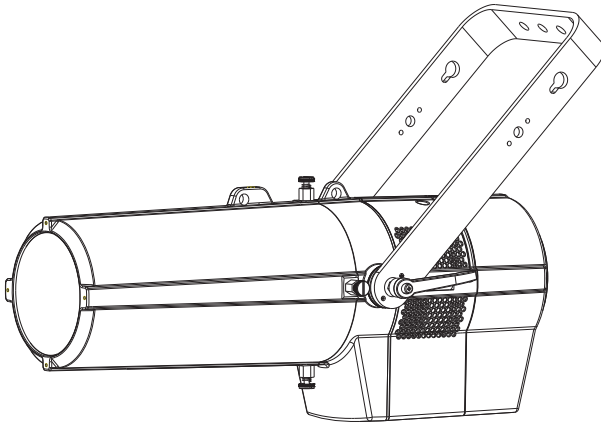




创意源于追求
Own Idea Of Lighting

SHOWPRO



FUSION IP PROFILE 56

USER MANUAL



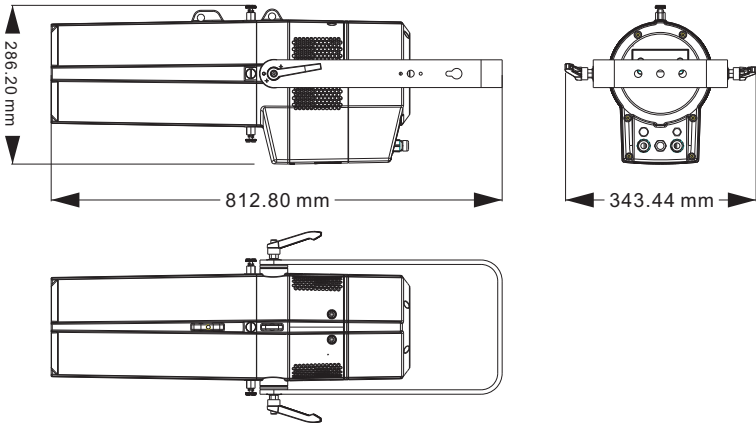
LEDPRO161



1 Product Introduction

1.1 Specification

Product Code	LEDPRO161
Dimenson	812 × 343 × 286(mm)
Weight	16KG
Rated Power	240W
Input Voltage	AC100~240V
Frequency Range	50/60Hz
Ambient Temperature	-20°C~45°C
Beam Angle	15°~30°
Control Model	DMX512/RDM



1.2 Safety warning

IMPORTANT

Always read the user manual before operation.

Please confirm that the power supply stated on the product is the same as the mains power supply in your area.

- This product must be installed by a qualified professional.
- Always operate the equipment as described in the user manual.
- A minimum distance of 0.5m must be maintained between the equipment and combustible surface.
- The product must always be placed in a well ventilated area.
- Always make sure that the equipment is installed securely.
- Do not stand close to the equipment and stare directly into the LED light source.
- Always disconnect the power supply before attempting and maintenance.
- Always make sure that the supporting structure is solid and can support the combined weight of the products.
- The earth wire must always be connected to the ground.
- Do not touch the power cables if your hands are wet.

ATTENTION

⚠ ATTENTION ⚠

- This product left the place of manufacture in perfect condition. In order to maintain this condition and for safe operation, the user must always follow the instructions and safety warnings described in this user manual.
- Avoid shaking or strong impacts to any part of the equipment.
- Make sure that all parts of the equipment are kept clean and free of dust.
- Always make sure that the power connections are connected correct and secure.
- If there is any malfunction of the equipment, contact your distributor immediately.
- When transferring the product, it is advisable to use the original packaging in which the product left the factory.
- Shields, lenses or ultraviolet screens shall be changed if they have become damaged to such an extent that their effectiveness is impaired.
- The lamp (LED) shall be changed if it has become damaged or thermally deformed.



Caution, risk of electric shock
The light source contained in this luminaire shall only be replaced by the manufacturer or his service agent or a similar qualified person.

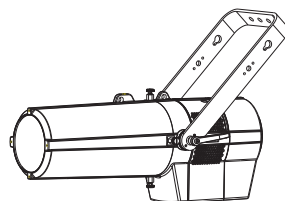


2 Installation

2.1 Mounting

The fixture can be mounted in any position. Always ensure that mounting surface can withstand 10 times the weight of the fixture.

Always use a safety cable when mounting the fixture in any elevated position.



UPRIGHT

Important safety note!!

Always use a safety cable when installing this unit!!

Be sure that the safety cable is connected to a solid load-bearing structure.

2.2 Power connections

This product uses input and output power cable is 1.5 square mm copper wire
Note:

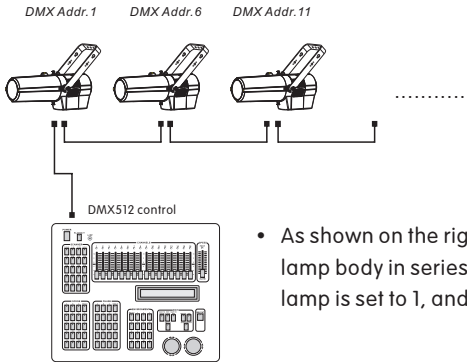
If the signal cable is over 60m between the DMX512 controller and fixture or between two fixtures, then a DMX signal amplifier is needed as well.

2.3 Connecting DMX512

The DMX console and the lamp body are connected in series.

Because the Std.P MODE is five channels, the address code of the lamp increases by 5 times such as (1, 6, 11, 16...), also each it can be reused as needed.

The DMX address code can be any value between 001 and 512.

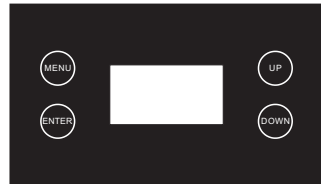


- As shown on the right, the controller is connected to the lamp body in series, the DMX address code for the first lamp is set to 1, and second unit is set to 6, and so on.

3 Display panel operation

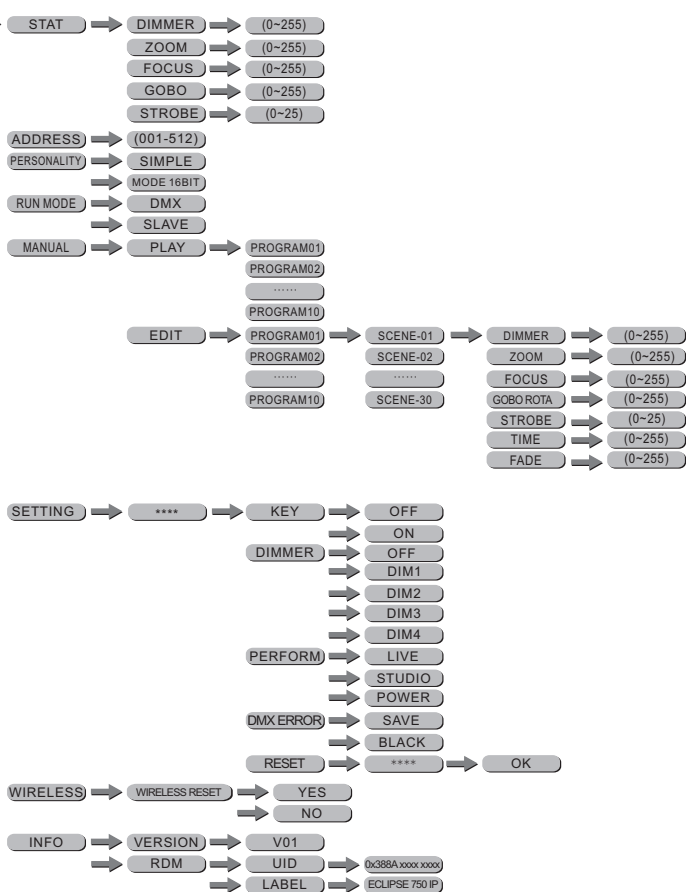
3.1 Display operation

- MENU: Back
- ENTER: Save
- UP: Direction up
- DOWN: Direction down

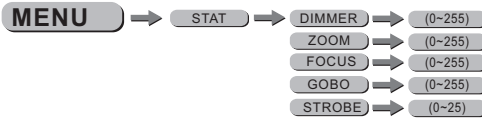




3.2 Menu



3.3 STATIC Setting



- Enter the STATIC mode to create the programs
- Combine DIMMER/ZOOM/FOCUS/GOBO/STROBE to create a definite range of colors ,Push up and down buttons adjust 0–255 value,Set value of the STROBE,Push up and down buttons adjust 0–20Hz value
- The static setting will be valid when the fixture is powered again.

3.4 DMX Address Setting



- Enter the **【DMX】** mode to set the DMX address.
- Enter Up/Down select **【1~512】** address.
- Enter **【MENU】** return.

3.5 PERSONALITY Setting



- Press enter the menu to do a custom choice on the ‘PERSONALITY’ menu.
- Press UP or DOWN to select **【 SIMPLE 】** , **【 COLOR MODE 16BIT 】** ,please refer to DMX channel table for the specific channel value .

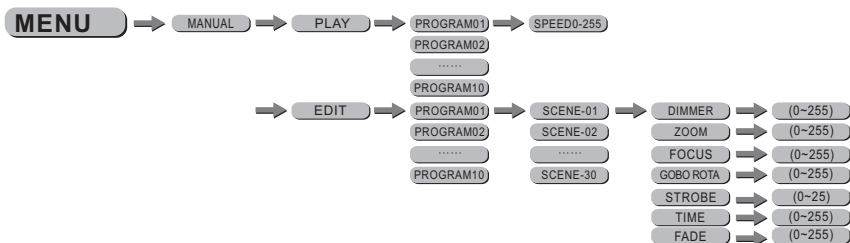
3.6 RUNMODE Setting



- **【 RUNMODE 】** menu, select required run mode,there are any modes inside: **【 DMX 】** DMX mode, **【 SLAVE 】** SLAVE mode, press Down/Up select mode.
- **【 DMX 】** mode is for using the DMX512 controller to control the fixtures.
- **【 SLAVE 】** mode is for Master -- Slave operation.
- press **【 ENTER 】** accept,press **【 MENU 】** return.

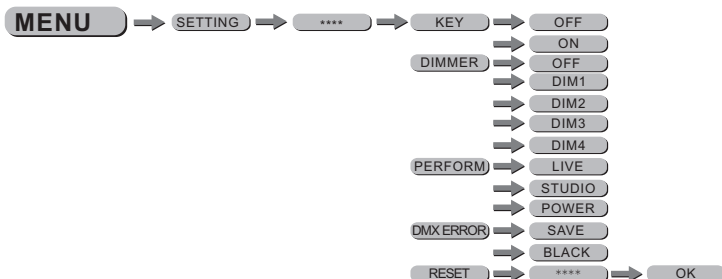


3.7 MANUAL Setting



- 【 MANUAL 】 ,press 【 ENTER 】 , enter into control knob switch set up.
- Select 【 PLAY 】 and press enter to select 【 PROGRAM01 】 ~ 【 PROGRAM10 】 , the value adjustment range of each self-programming mode is 0~255, press the 【 MENU 】 key to return the MENU, and the selected value is saved automatically.
- Enter the EDIT mode to edit the custom programs 【 PROGRAM01 】 to 【 PROGRAM10 】 .Each custom program has 30 steps that can be edited.Each step allows the creation of a scene using DIMMER 【 DIMMER 】 , ZOOM 【 ZOOM 】 , FOCUS 【 FOCUS 】 , GOBO ROTA 【 GOBO ROTA 】 , STROBE 【 STROBE 】 , TIME 【 TIME 】 , FADE 【 FADE 】 .The data value range 【 0~255 】 is in seconds,The TIME setting of 【 FADE 】 is less than that of 【 TIME 】 ,press the 【 MENU 】 key to return the MENU, and the selected value is saved automatically.

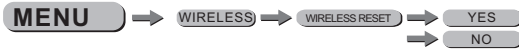
3.8 SETTING



- 【 SET 】 ...This menu allows the user to adjust key operation settings for this fixture.
- 【 KEY 】 ... select [ON] for automatic lock-out. Password to re-enter the display is <UP>+ <DOWN> + <UP> + <DOWN>.
- 【 DIMMER 】 is a non-linear DIMMER speed setting, <OFF> is a normal linear dimming, Select [DIM1]、 [DIM2]、 [DIM3] or [DIM4] for different dimming speeds. ([DIM4] is the slowest dimming speed).

- [PERFORM] menu, select [LIVE/STUDIO/POWER] as required fan speed.
- [XY OFFSET] is the setting to hide the fine adjustment of the refresh frequency, select, [SHOW] as not hidden, select [HIDE] as hidden, The default setting is [HIDE] .
- [PWM] is the PWM refresh frequency selection. When the [XY OFFSET] option is SHOW, the PWM submenu can set X FINE and Y FINE tuning options. (Note: as the refresh frequency increases, the gray scale level of the dimmer will decrease (i.e. the higher the refresh frequency, the less gray it will be).
- [DMX ERROR] Choose<SAVE> in order to save the last DMX data in case of DMX signal error. Choose<BLACK> in order to blackout in case of DMX signal error.
- [RESET] RESET the lamp. Enter the password "up down up down " to confirm, and then perform the RESET of the lamp parameters.

3.9 WIRELESS Setting



- [WIRELESS] WIRELESS DMX mode, press [ENTER] key to ENTER, [WIRELESS RESET] WIRELESS DMX RESET, select YES as RESET, and NO as NO RESET.

3.10 INFO



- Press [ENTER] into [INFO] check information, press up and down
- [VERSION] is software versions;
- [RDM] check fixture's ID;

4 Using a DMX512 Controller

4.1 Channel Assignment

Note: this product have two DMX512 channel configuration:
 [SIMPLE] / [COLOR MODE 16BIT]



SIMPLE

CHANNEL	VALUE	FUNCTION
CH.1	0 ↔ 255	DIMMER
CH.2	0 ↔ 255	ZOOM
CH.3	0 ↔ 255	FOCUS
CH.4	STROBE	
	0 ↔ 9	NO FUNCTION
	10 ↔ 99	STROBE FROM SLOW TO FAST (0–25Hz)
	100 ↔ 109	NO FUNCTION
	110 ↔ 179	THUNDER STROBE
	180 ↔ 189	NO FUNCTION
	190 ↔ 255	RANDOM STROBE
CH.5	CONTROL	
	0 ↔ 9	NO FUNCTION
	10 ↔ 34	LIVE
	35 ↔ 59	STUDIO
	60 ↔ 84	POWER
	85 ↔ 109	OFF
	110 ↔ 134	DIM1
	135 ↔ 159	DIM2
	160 ↔ 184	DIM3
	185 ↔ 234	DIM4
	210 ↔ 234	ZOOM、 FOCUS、 GOBO RESET
	235 ↔ 255	NO FUNCTION

MODE 16BIT

CHANNEL	VALUE	FUNCTION
CH.1	0 ↔ 255	DIMMER
CH.2	0 ↔ 255	DIMMER FINE
CH.3	0 ↔ 255	ZOOM
CH.4	0 ↔ 255	FOCUS
CH.5	STROBE	
	0 ↔ 9	NO FUNCTION
	10 ↔ 99	STROBE FROM SLOW TO FAST (0–25Hz)
	100 ↔ 109	NO FUNCTION
	110 ↔ 179	THUNDER STROBE
	180 ↔ 189	NO FUNCTION
	190 ↔ 255	RANDOM STROBE
CH.6	GOBO ROTATION	
	0 ↔ 9	NO FUNCTION
	10 ↔ 145	GOBO INDEX (0 → 360°)
	146 ↔ 150	STOP ROTATION
	151 ↔ 200	CLOCKWISE (SPEED 1 → 100%)
	201 ↔ 205	STOP ROTATION
CH.7	CONTROL	
	000 ↔ 009	NO FUNCTION
	010 ↔ 034	LIVE
	035 ↔ 059	STUDIO
	060 ↔ 084	POWER
	085 ↔ 109	OFF
	110 ↔ 134	DIM1
	135 ↔ 159	DIM2
	160 ↔ 184	DIM3
	185 ↔ 209	DIM4
	210 ↔ 234	ZOOM、 FOCUS、 GOBO RESET
235 ↔ 255	NO FUNCTION	

